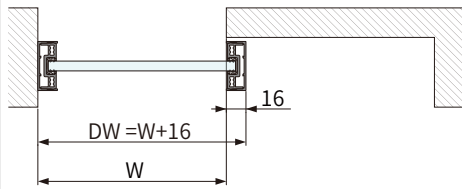


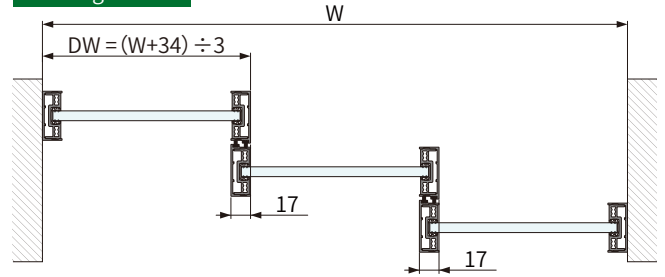
opk Perfect Slim System Door Frame Mounting Instruction

Door Parameters

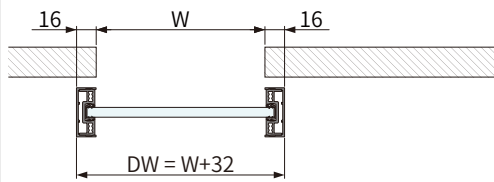
Single Door



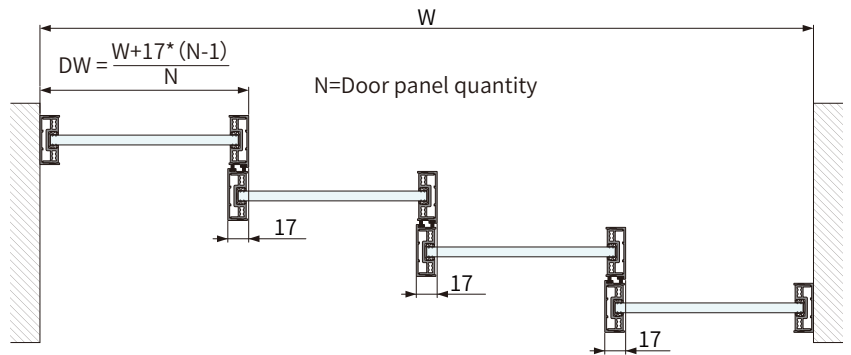
Stacking 3 Doors



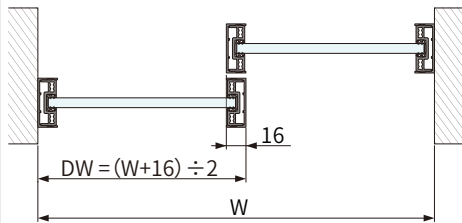
Wall Mounting



Mutiple Doors (≥ 4 Doors)



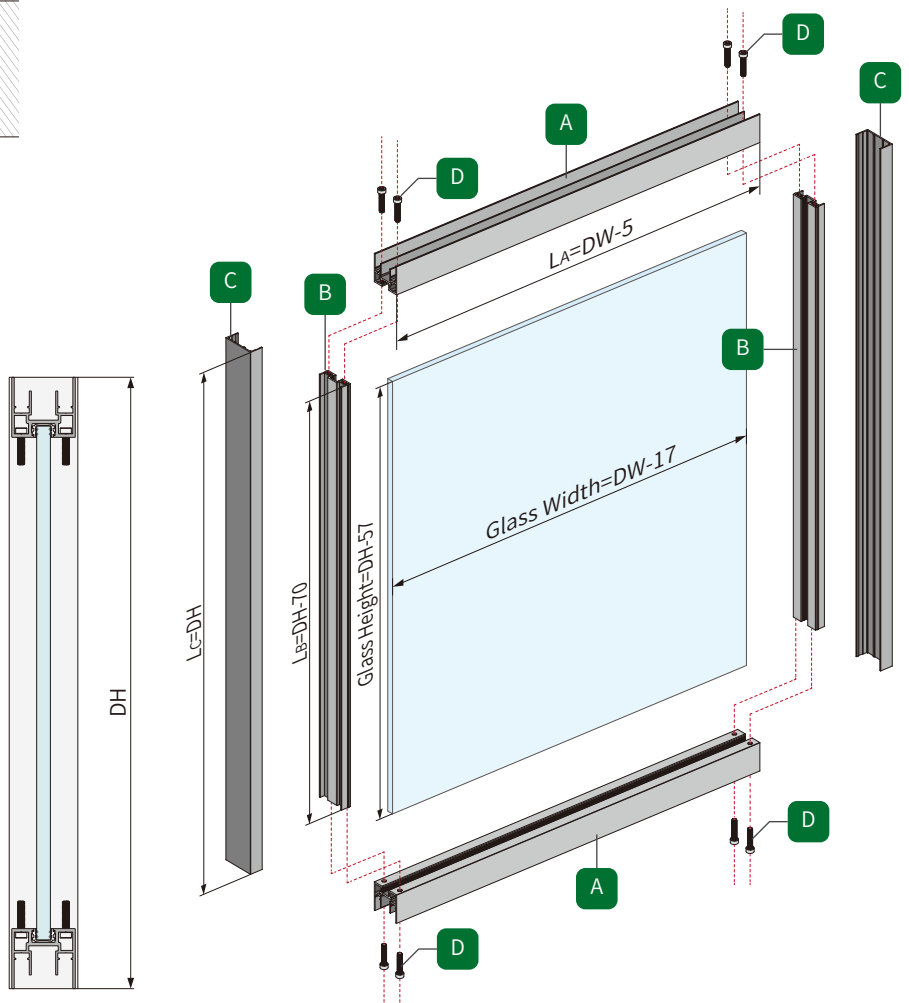
Two Doors



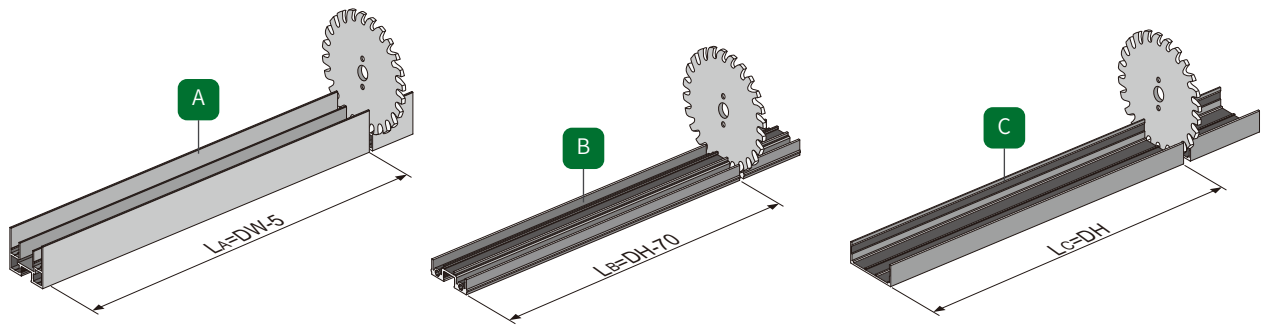
Single Door $DH = H - 58$

Wall Mounting $DH = H - 52$

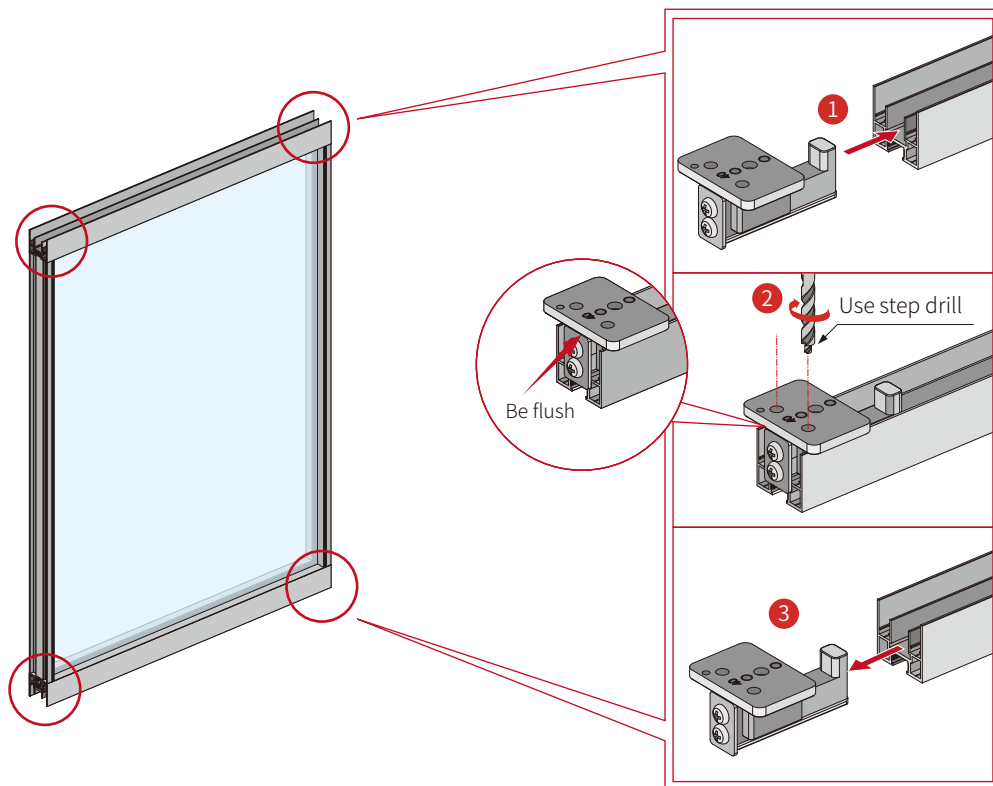
Stacking 3 Doors & Multiple Doors (≥ 4 Doors) $DH = H - 62$



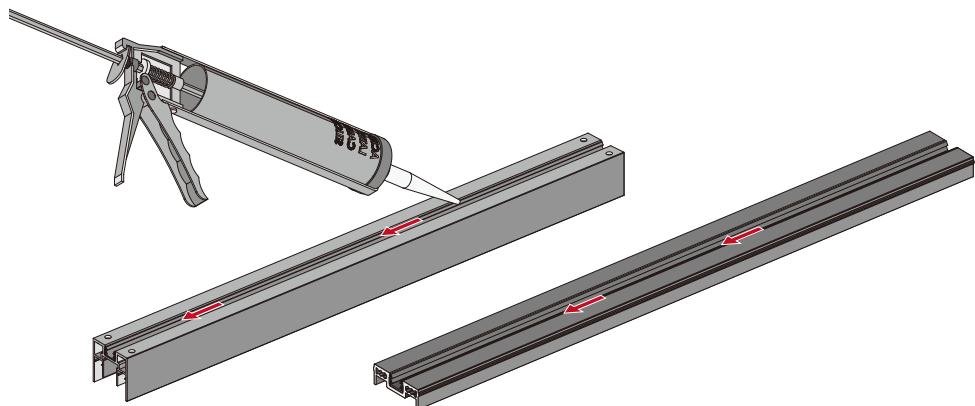
1 Cut Door Frames



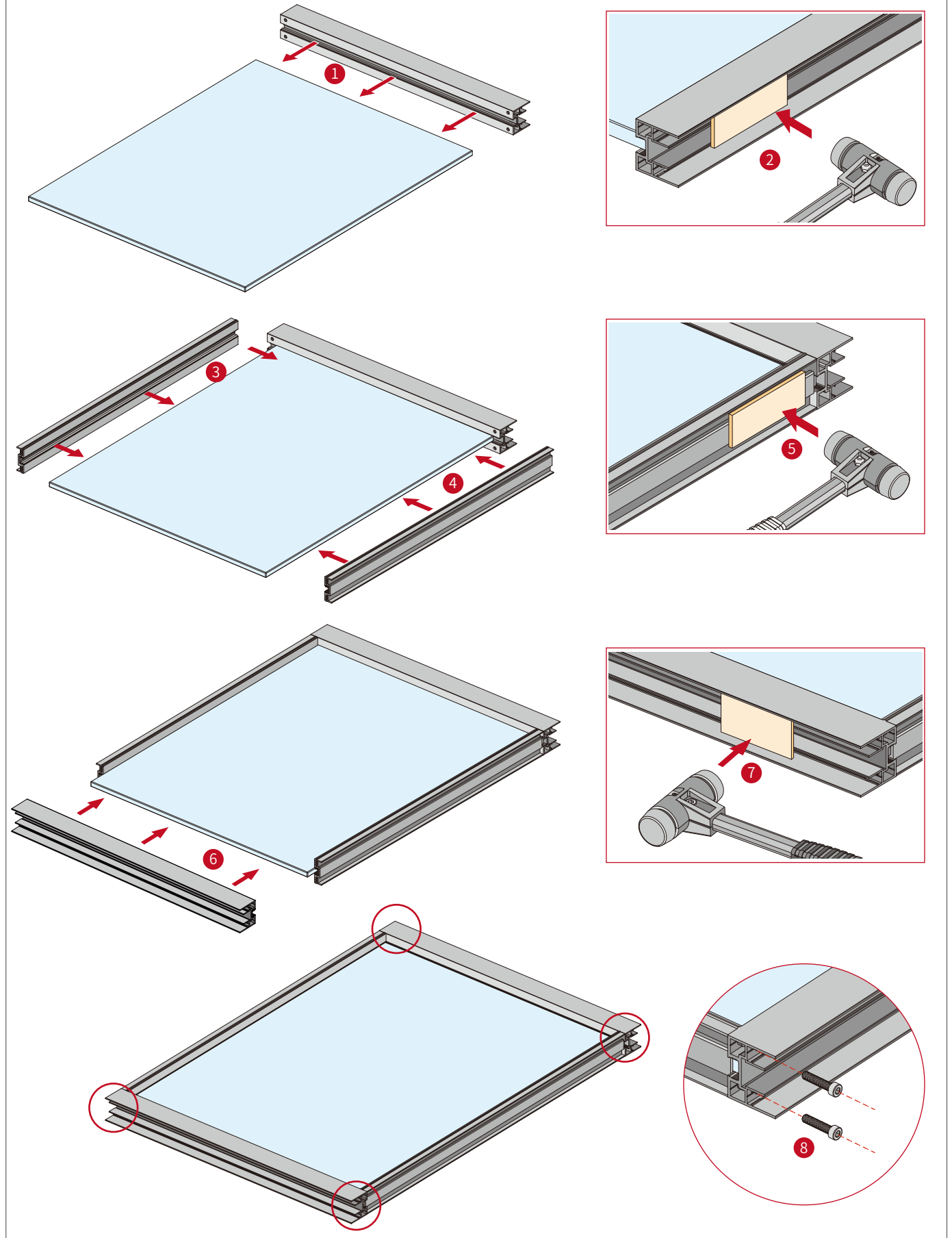
2 Drill the Holes on the Top/Bottom Frames



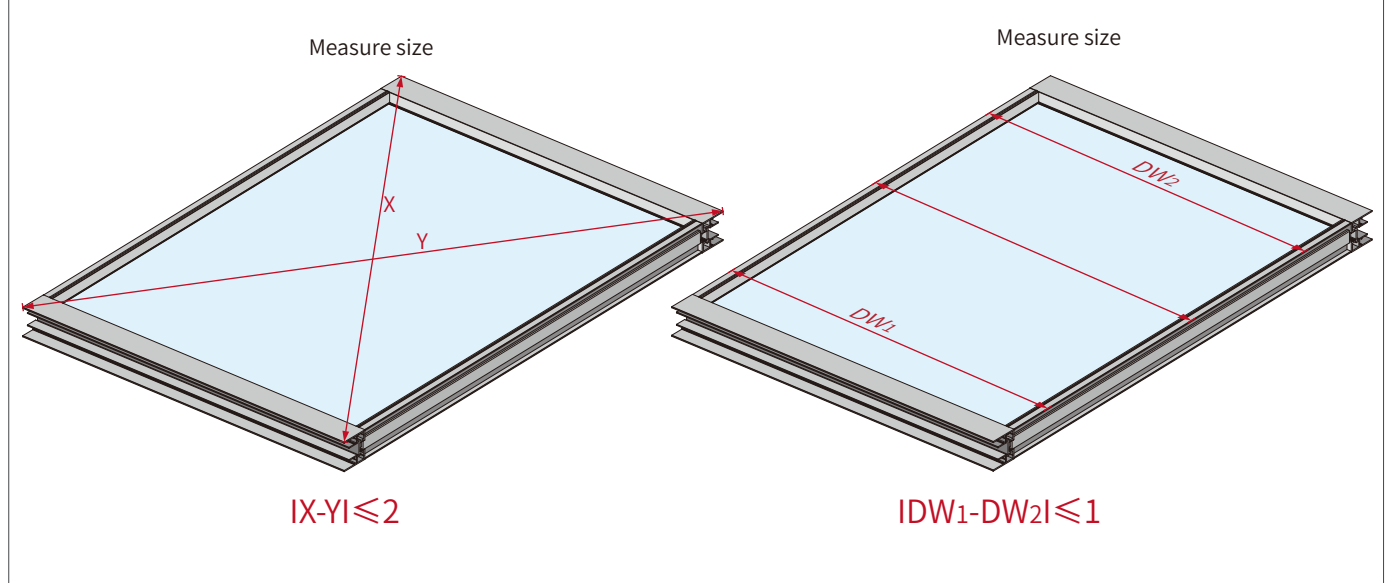
3 Add Silicone to the Frames



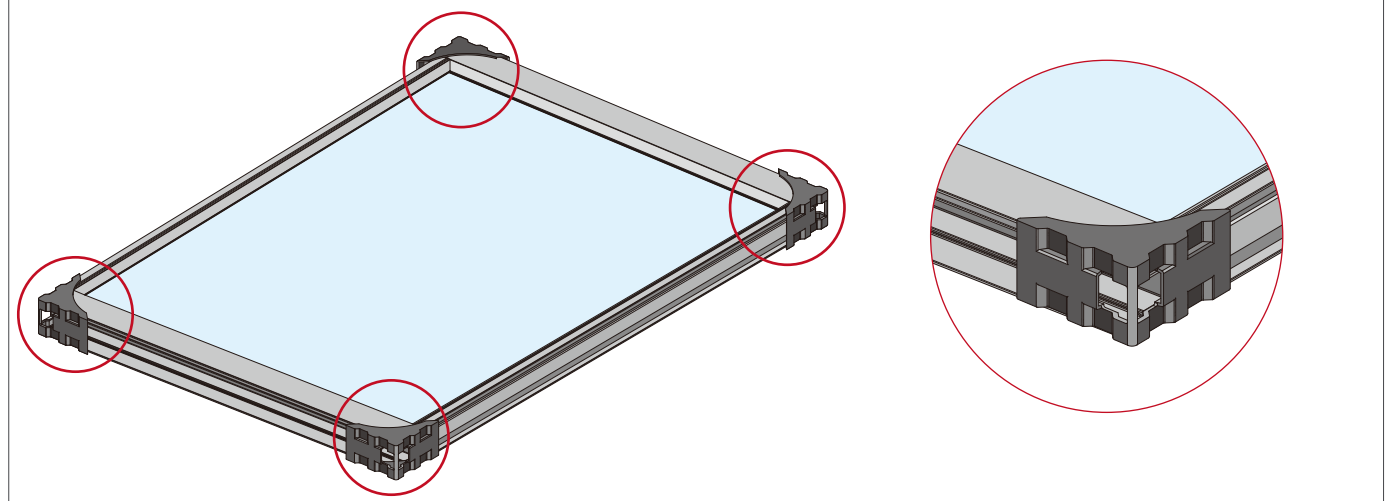
4 Install the Door Frames



5 Measure the Door



6 Install the Corner Protector



7 Covers for Vertical Frame

